
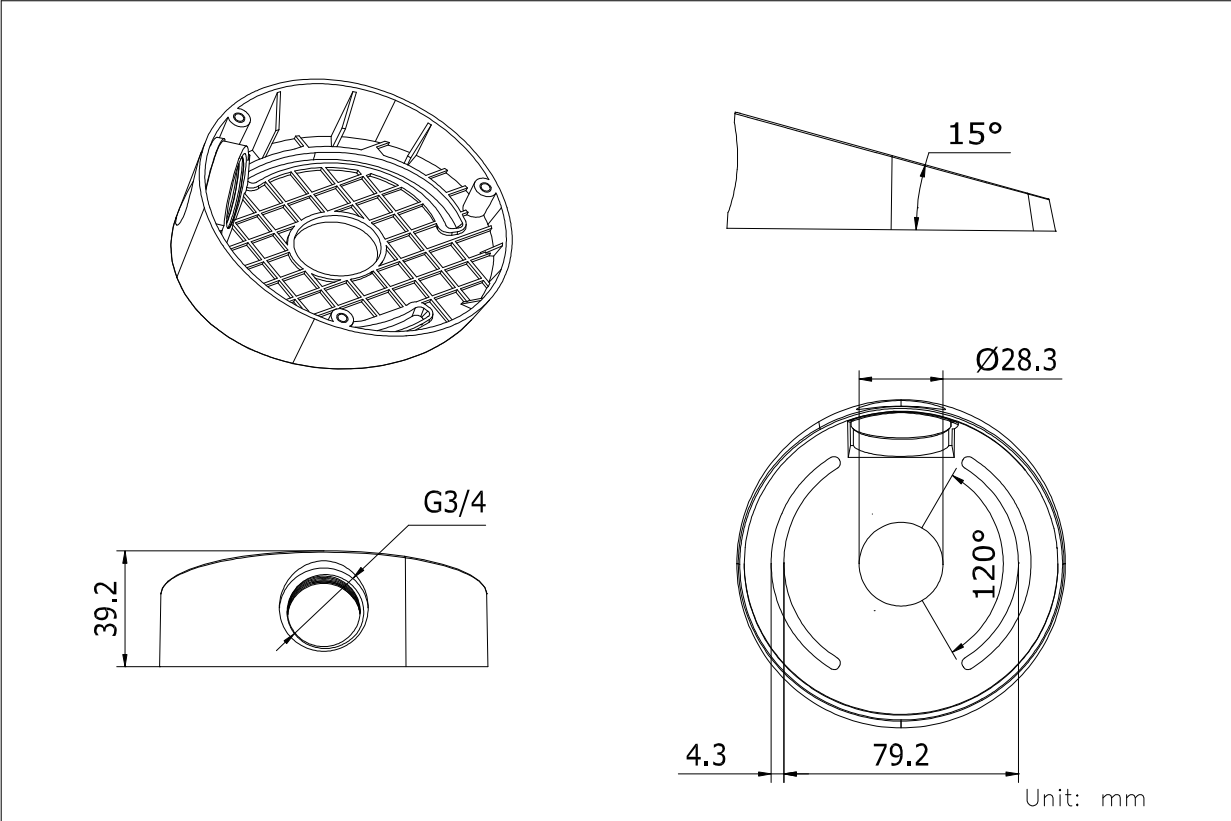




A-MD-ICM (A Series Mini Dome Inclined Ceiling Mount)

Product Image	
Model Number	A-MD-ICM
Model Name	A Series Mini Dome Inclined Ceiling Mount
Use	Incline Mounting A Series Mini Dome cameras
Construction	ABS Plastic
Weight	2.4 OZ
Dimensions	
 <p>Technical drawings of the A-MD-ICM ceiling mount. The drawings include a perspective view of the internal structure, a side view showing a 15° incline, a top view showing a G3/4 threaded hole and a 39.2 mm height, and a bottom view showing a 120° angle, a 4.3 mm offset, and a 79.2 mm diameter. The unit is mm.</p>	