
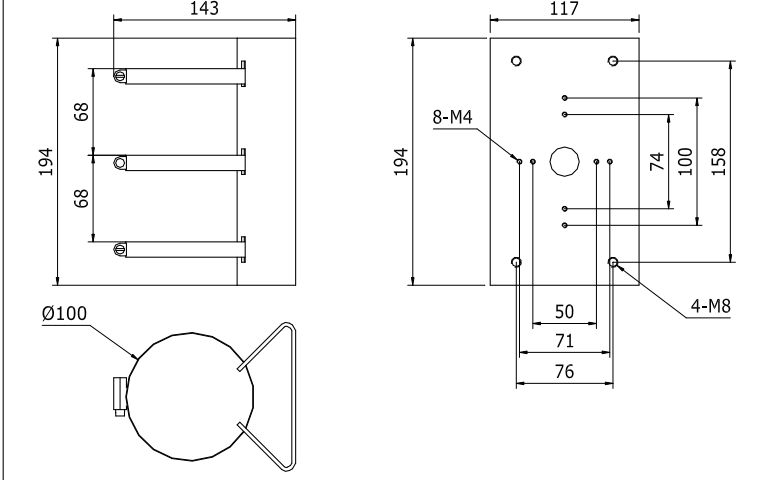


<p>Product Image</p>	
<p>Model</p>	<p>A-PA</p>
<p>Type</p>	<p>Vertical pole adapter</p>
<p>Camera Models Supported</p>	<p>Suitable for pole mounting with A-44-OD-MB mount Diameter range of straps: 91-114mm(3.59"-4.49")</p>
<p>Construction</p>	<p>Aluminum alloy</p>
<p>Dimension</p>	<p>117×143×194mm (4.61''× 5.63'' ×7.64'')</p>
<p>Weight</p>	<p>1205g(2.66lbs)</p>
<p>Drawing</p>	 <p style="text-align: right;">Unit: mm</p>