

### Overview

- 5 Megapixel
- Fixed Lens with f1.19 mm / F2.0
- Basic WDR (74 dB)
- 180/360° Fisheye View
- Weatherproof (IP68), Vandal Proof (IK10) and Vibration Proof



### Technical Specifications

#### Device

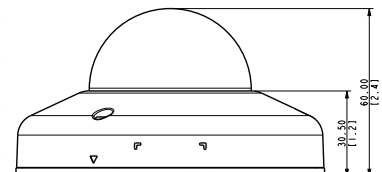
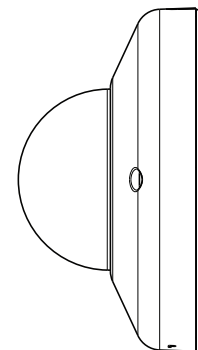
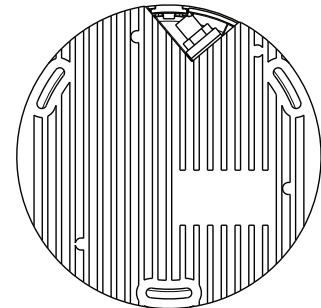
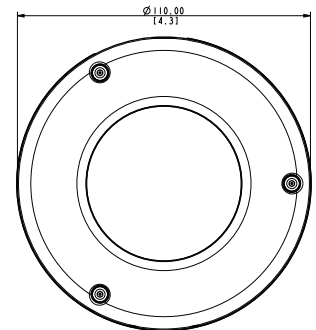
Device Type:	Outdoor Mini Fisheye Dome
Image Sensor:	Progressive Scan CMOS
Sensor Size:	1/3.2"
Day / Night:	No
Superior Low Light Sensivity:	No
Minimum Illumination:	Color: 0.1 lux at F2.0 (30 IRE, 2400°K)
Mechanical IR Cut Filter:	No
IR Sensitivity Range:	No
IR LED:	No
Electronic Shutter:	1/5 ~ 1/2,000 sec (manual mode); 1/5 ~ 1/10,000 sec (auto mode)

#### Lens

Focal Length / Aperture:	Fixed (Fisheye lens), f1.19 mm / F2.0
Iris:	Fixed iris
Focus:	Fixed focus
Lens Mount:	Board mount
Horizontal Viewing Angle:	180° (overview area), 109.8° (high detail area)
Viewing Angle Adjustment:	Rotation: ±90°

#### Video

Compression:	H.264 HP, MJPEG
Max. Resolution vs. Frame Rate:	15 fps at 2592x1944; 15 fps at 2048x1536; 15 fps at 1440x1080; 15 fps at 1280x960; 15 fps at 640x480; 15 fps at 320x240
Mode:	Fisheye Streaming; Dewarped Streaming: 180° /360° Panorama; ePTZ
Multi-Streaming:	Simultaneous dual streams based on two configurations
Bit Rate:	28 Kbps - 6 Mbps (per stream)
Bit Rate Mode:	Constant, Variable



### Technical Specifications

Image Enhancement:	Basic WDR (74 dB); White balance: automatic, hold, and manual; Brightness; Contrast; Sharpness (auto); Auto gain control; Digital noise reduction; Flickerless
Privacy Mask:	4 configurable regions
Text Overlay:	User defined text on video
Image Orientation:	Image flip and mirror
<b>Audio</b>	
Audio Input:	Mic-In, cable with 3.5mm phone jack
<b>Network</b>	
Protocol & Service:	TCP, UDP, HTTP, HTTPS, DHCP, PPPoE, RTP, RTSP, IPv6, DNS, DDNS, NTP, ICMP, ARP, IGMP, SMTP, FTP, UPnP, SNMP, Bonjour
Ethernet Port:	1, Ethernet (10/100 Base-T), RJ-45 connector
Security:	IP address filtering; HTTPS encryption; Password protected user levels; Anonymous login; IEEE 802.1X network access control
<b>Alarm</b>	
Alarm Trigger:	Video motion detection (3 regions)
Alarm Response:	Notify control center; Change camera settings; Command other devices; E-mail notification with snapshots; Save video or snapshot to local storage; Upload video, snapshot to FTP
<b>Interface</b>	
Local Storage	MicroSDHC/MicroSDXC memory card slot (card not included)
<b>General</b>	
Power Source / Consumption:	PoE Class 1 (IEEE802.3af) / TBC
Weight:	TBC
Dimensions (Ø x H):	110 mm x 60 mm (4.3" x 2.4")
Environmental Casing:	Weatherproof (IP68 rated); Vandal proof (IK10 rated); Vibration proof (EN 50155-Ready without certificate); Transparent dome cover
Mount Type:	Surface, Gang box
Starting Temperature:	-20°C ~ 50°C (-4°F ~ 122°F)
Operating Temperature:	-20°C ~ 50°C (-4°F ~ 122°F)
Operating Humidity:	10% ~ 85% RH
Approvals:	CE (EN 55022 Class B, EN 55024), FCC (Part15 Subpart B Class B), IK10, IP68, NEMA 4X, EN 50155-Ready (without certificate)
System Compatibility	ONVIF